

Messen

Prüfen

Kontrollieren

Sortieren

Positionieren

Vollständigkeitskontrolle

Vorhandenseinskontrolle

Oberflächeninspektion

Teileprüfung

Werkzeugvoreinstellung

3D Sehen

3D Erkennung

Robot Vision

Markierungskontrolle

Koplanarität

BGA-Prüfung

Konturprüfung

Fehler- und
Verschmutzungserkennung

OCR / OCV

Zeichenerkennung

Code Lesen

Faden- und Stoffprüfung

Papier- und Folienprüfung

Metallprüfung

Displayprüfung LCD, LED,
OLED

Mustervergleich

Blasenkontrolle

Robotersteuerung

Bohrer Vermessung

Thermografie

Plastik-Inspektion

2D

und vieles mehr...

Product data:

EyeCheck 5000



Description:

The combination of EyeVision software and the latest cameras of the EyeCheck 5000 series enables the user to efficiently solve image processing applications.

The smart cameras offer a broad range of resolutions and high computing power.

Additionally they contain the EyeVision image processing software, with its drag-and-drop programming for an extremely user friendly handling – even without programming skills difficult tasks can be solved.

For more information have a look at our website or contact us:
+49 (0) 721 668 004 23 0

www.evt-web.com

Technical Data

CPU	X86 1 GHz, VIA EdenULV (L1 Caches 64 KB x2, L2 Caches 128 KB)
Memory	512 MB DDR2 SDRAM
Operating System	Windows
Ethernet	1000 Base-T/A00 Base-TX/10 Base-T
USB	Hi-Speed USB (USB 2.0) (2x)
Serial Interfaces	RS-232C
Monitor Output	D-Sub 15-polig for Multi-Scan-Monitor
Digital I/Os	Isolated 4 Inputs / 8 Outputs
Aperture control	DC
Power consumption	Max. 17,4 W
Operating voltage	+12 V and +24 V
Lens Mount	C-Mount and CS-Mount
Ambient temperature:	Operating: -5 to 45 °C Storage: -30 to 60 °C
Air humidity:	Operating: 20 to 80 % (no condensation) Storage: 20 to 95 % (no condensation)
Weight without lens	approx. 760 g
Dimensions without lens (W x H x L)	94 x 70 x 140 mm

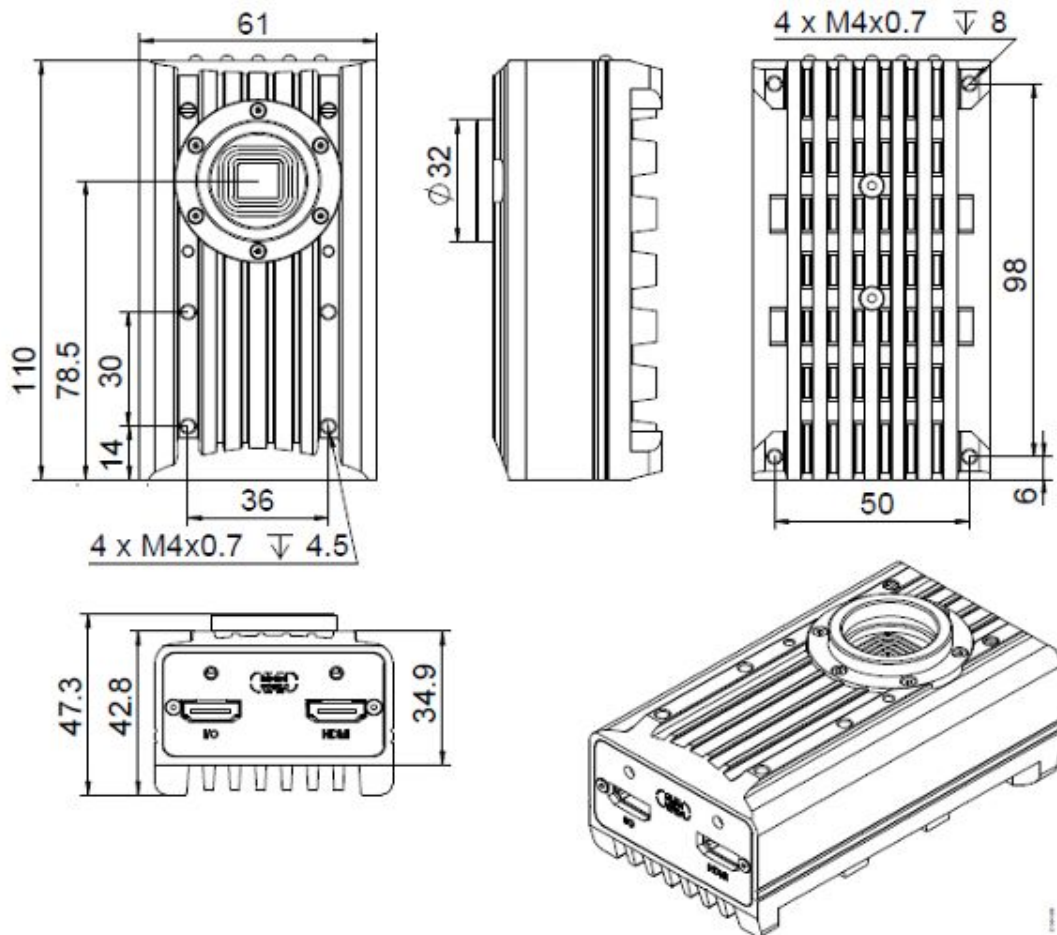
Model	Resolution	Sensor	Frame Rate	Processpr
EC5000	720 x 540	1/3" CCD Mono	200 fps	1.91 GHz
EC5300	1280 x 1024	1/2" CMOS Mono	90 fps	1.91 GHz
EC5310	1456 x 1088	1/3" CMOS Mono	107 fps	1.91 GHz
EC5400	1616 x 1232	1/1.8" CCD Mono	30 fps	1.91 GHz
EC5500	2064 x 1536	1/1.8" CMOS Mono	55.6 fps	1.91 GHz
EC5600	2448 x 2048	2/3" CCD Mono	15 fps	1.91 GHz
EC5610	2456 x 2048	2/3" CMOS Mono	35.7 fps	1.91 GHz
EC5700	3072 x 2048	1/1.8" CMOS Mono	30 fps	1.91 GHz
EC5900C	5472 x 3648	1" CMOS Mono	15 fps	1.91 GHz

* All EyeCheck 5xxx also available as Color cameras.

Software

Operating System: Windows	Support EyeVision Software
Applications: - Industrial image processing: OCR, bar code, DMC, etc. - supervision and surveillance - Automation - bio science and medical applications	Interfaces: Mono for .NET applikations, Webserver for remote access and MMI

Dimensions:



Further products:

- EyeVision image processing software for Smart Cameras, Vision Sensors and PC
- EyeCheck 9xx & 1xxx Smart Cameras
- EyeSens Vision Sensors
- EyeScan 3D cameras