



Servo-assisted 2/2 way piston valve

- Servo-assisted and compact piston valve with diameter of up to DN 13
- Vibration-resistant , screwed coil system
- Increased leak-tightness with welded plunger guiding tube
- Safe opening with hard-coupled piston system
- Explosion proof versions

Product variants described in the data sheet may differ from the product presentation and description.

Can be combined with



Type 2518 ▶
Cable Plug Form A



Type 2513 ▶
Cable plug acc. to DIN
EN 175301 - 803 Form A

Type description

The 6240 valve is a servo-assisted piston valve. The stopper and plunger guiding tube are welded together to enhance pressure resistance and leak-tightness. Various seal material combinations are available depending on the application. The housing design and surface quality enable maximum flow rates. The coils are moulded with chemically resistant epoxy. An optional sliding ring bearings increases the life cycle with dry gases. In combination with a plug in accordance with DIN EN 175301 - 803 Form A, the valves satisfy protection class IP65. Stainless steel valves satisfy NEMA 4X.

Table of contents

1. General technical data	3
2. Circuit functions	4
3. Materials	4
3.1. Chemical Resistance Chart – Bürkert resistApp.....	4
3.2. Standard version.....	4
3.3. High pressure version MX31 & MX32 – DN6	5
3.4. High pressure version MX32 – DN12.....	5
3.5. Steam version NA67 – DN13	6
4. Dimensions	7
4.1. Standard version.....	7
4.2. High pressure version MX31 & MX32 – DN6	8
4.3. High pressure version MX32 – DN12.....	9
4.4. Solution for self-service car wash 160 bar (MX31).....	10
4.5. ATEX-IECEX version PX58, PX38 & PX39.....	11
4.6. DN13 version	12
5. Performance specifications	12
5.1. Electrical power consumption	12
6. Product accessories	13
6.1. Cable glands for ATEX/IECEX terminal box.....	13
6.2. Special tool to turn the junction box.....	13
7. Ordering information	14
7.1. Bürkert eShop – Easy ordering and quick delivery.....	14
7.2. Bürkert product filter.....	14
7.3. Ordering chart standard version.....	14
7.4. Ordering chart high temperature version.....	15
7.5. Ordering chart increased pressure range MW06.....	15
7.6. Ordering chart version DIN EN 161 automatic shut-off valves for gas burners	16
7.7. Ordering chart high pressure version DN6 – pressure range up to 160 bar (MX31).....	16
7.8. Ordering chart high pressure version DN6 – pressure range up to 250 bar (MX32).....	17
7.9. Ordering chart high pressure version DN12 – pressure range up to 250 bar (MX32).....	17
7.10. Ordering chart version self-service car wash 160 bar (MX31).....	18
7.11. Ordering chart steam version DN13	18
7.12. Ordering chart standard version – ATEX/IECEX with 3 meter cable	18
7.13. Ordering chart high pressure version – ATEX/IECEX with 3 meter cable.....	19
7.14. Ordering chart standard version – ATEX/IECEX terminal box.....	19
7.15. Ordering chart high pressure version – ATEX/IECEX terminal box	20
7.16. Ordering chart accessories.....	20
Cable plug Type 2518, Form A according to DIN EN 175301 - 803	20
Cable plug Type 2513, form A acc. to DIN EN 175301 - 803	21
Cable glands for ATEX/IECEX terminal box	21
Mounting bracket for Type 6027/6240.....	21

1. General technical data

Product properties	
Materials	
Body	Brass, Stainless steel
Coil	Epoxy
Dimensions	Detailed information can be found in chapter "4. Dimensions" on page 7.
Orifice	DN6, DN12, DN13 (steam version)
Duty cycle	100 % continuous rating
Coil insulation class	Class H
Electrical data	
Voltage tolerance	± 10 %
Performance data	
Response times	
Standard DN6	Opening: 10...20 ms Closing: 40...50 ms
Standard DN12	Opening: 20...40 ms Closing: 80...100 ms
Steam version DN13	Opening: 80...100 ms Closing: 200...300 ms
High pressure MX3 ¹⁾	Opening: 100...200 ms Closing: 300...500 ms
Electrical power consumption	Detailed information can be found in chapter "5.1. Electrical power consumption" on page 12.
Medium data	
Media (High temperature version)	Neutral gases and liquids, such as e.g. compressed air, water, hydraulic oil, steam and hot mediums
Viscosity	Max. 21 mm ² /sec
Media temperature	
Standard	Seat seal/Oexternal seal FKM/FKM: -10 °C...+140 °C EPDM/EPDM: -30 °C...+120 °C PTFE/FKM: -10 °C...+140 °C
Standard high temperature	PTFE/PEEK DN6: -40 °C...+180 °C PTFE/PEEK DN12: -40 °C...+140 °C
Steam version DN13	FKM/FKM: 0 °C...+140 °C
Approval DIN EN 161 (PO17)	NBR/NBR (PO17): -10 °C...+80 °C
High pressure version MX31 & MX32	PCTFE/FKM: -10 °C...+80 °C PCTFE/EPDM: -30 °C...+80 °C PCTFE/PEEK: -30 °C...+80 °C
Approvals and certificates	
Protection class	IP65 with cable plug, X/IECEx junction box version and cable connection version NEMA 4x with cable plug Type 2518 or Type 2509 with stainless steel versions (other versions on request)
Product connections	
Port connections	G ¼, G ⅜, G ½ (NPT and Rc on request), steam version DN13 also in G ⅜
Electrical connection	Tag connector acc. DIN EN 175 301 - 803 Form A for cable plug Type 2518 Detailed information can be found in chapter "Cable plug Type 2518, Form A according to DIN EN 175301 - 803" on page 20.
Environment and installation	
Ambient temperature	Max. 55 °C
Installation	As required, preferably with actuator upright

1.) Measured at the outlet with 6 bar inlet pressure at 20 °C

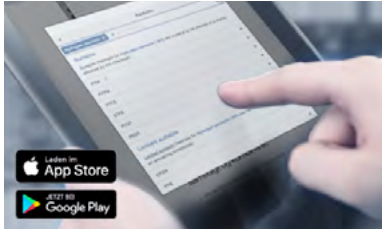
Opening: Pressure build-up 0...90 %, Closing: Pressure decrease 100...10 %

2. Circuit functions

Circuit functions	Description
	Type: A, solenoid valve 2/2 way Servo-controlled Normally closed
	Type: B, solenoid valve 2/2 way Servo-controlled Normally open

3. Materials

3.1. Chemical Resistance Chart – Bürkert resistApp

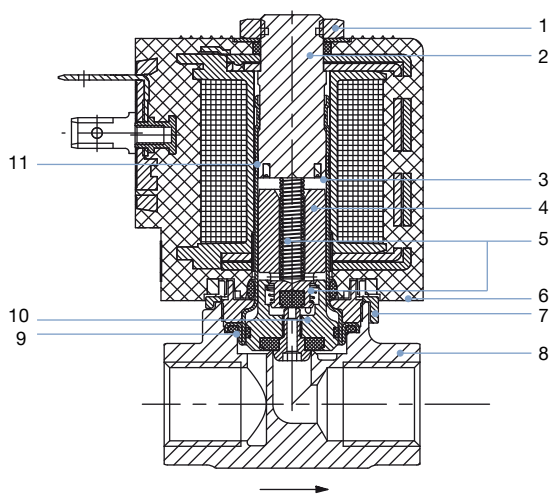


Bürkert resistApp – Chemical Resistance Chart

You want to ensure the reliability and durability of the materials in your individual application case? Verify your combination of media and materials on our website or in our resistApp.

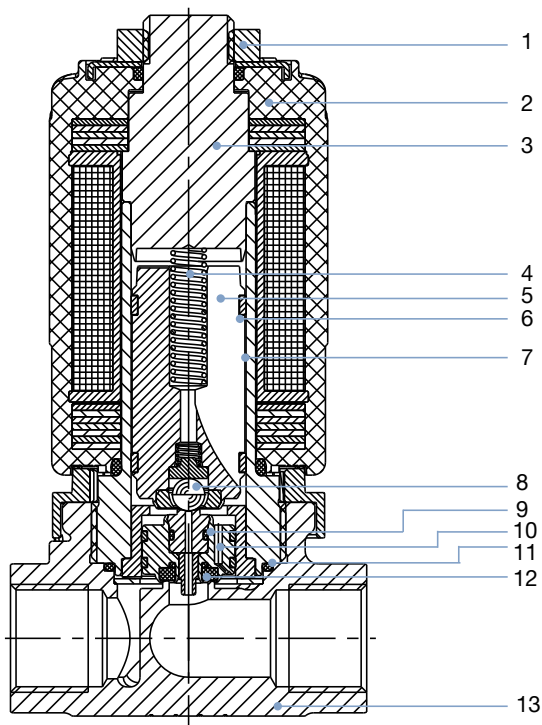
[Start Chemical Resistance Check](#)

3.2. Standard version



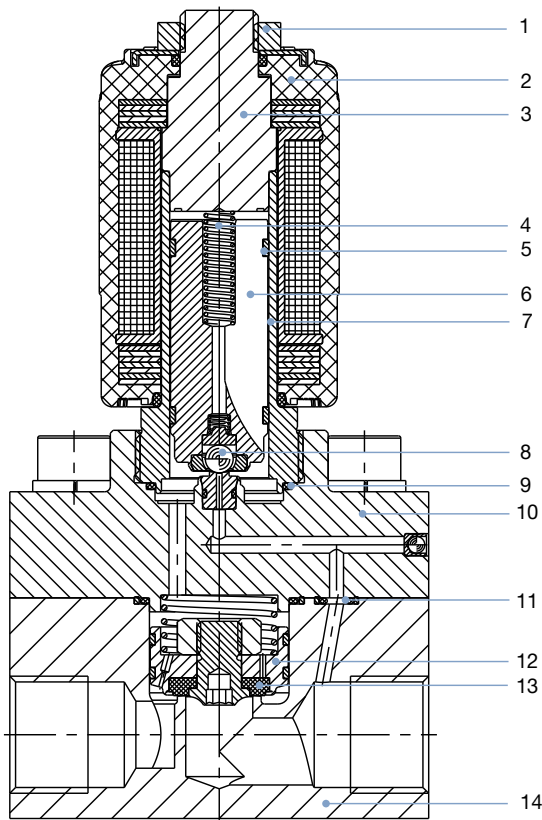
No.	Element	Material
1	Nut	Steel (surface finish thick film passivated) (Brass version) Stainless steel 1.4305 PTFE (Stainless steel version)
2	Stopper	1.4113
3	Armature guide tube	1.4303
4	Guide ring	PTFE carbon filled
5	Springs	1.4310
6	Coil	Epoxy
7	Safety lock	PPS
8	Body	Brass/stainless steel 1.4404
9	Seal facing outwards	FKM/EPDM/PEEK (high temperature version)
10	Piston complete	Brass/stainless steel 1.4305 Stainless steel PEEK PTFE carbon filled FKM/EPDM/PTFE (PTFE for high temperature and PTFE/FKM for high pressure versions)
11	Shading ring	Copper/silver

3.3. High pressure version MX31 & MX32 – DN6



No.	Element	Material
1	Nut	1.4305
2	Coil	Epoxy
3	Stopper	1.4523
4	Spring	1.4310
5	Core coupling	1.4113, 1.4305
6	Glide ring	PTFE coal-filled
7	Guide tube	1.4571
8	Core seal	Ceramic ball
9	Piston coupling	1.4305, PEEK, PTFE coal-filled
10	Piston guide	1.4305
11	Seal	FKM, EPDM
12	Seat seal	PCTFE
13	Body	Stainless steel 1.4404

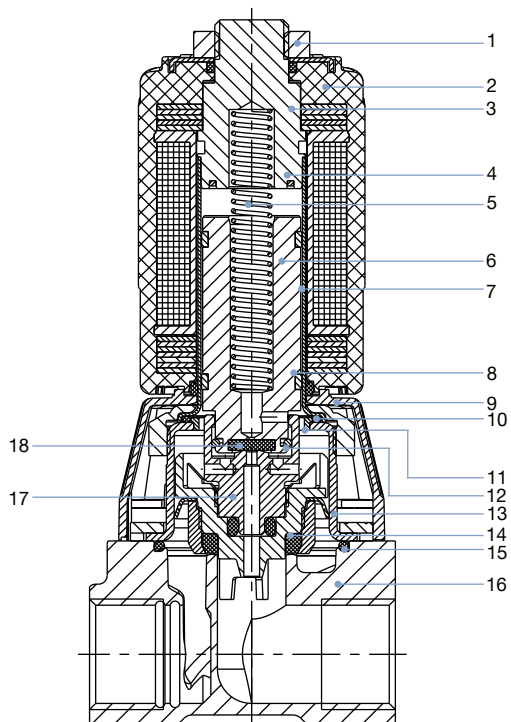
3.4. High pressure version MX32 – DN12



No.	Element	Material
1	Nut	1.4305 PTFE coated
2	Coil	Epoxy
3	Stopper	1.4523
4	Spring	1.4310
5	Glide ring	PTFE coal-filled
6	Core coupling	1.4113, 1.4305
7	Guide tube	1.4571
8	Core seal	Ceramic ball
9	Outer seal	FKM, EPDM
10	Flange coupling	Stainless steel 1.4404, PEEK, FKM/EPDM
11	Outer seal	FKM, EPDM
12	Piston coupling	1.4305, PTFE coal-filled
13	Seat seal	PCTFE
14	Body	Stainless steel 1.4404

DTS 1000089730 EN Version: U Status: RL (released | freigegeben | validé) printed: 21.10.2019

3.5. Steam version NA67 – DN13



No.	Element	Material
1	Nut	1.4305
2	Coil	Epoxy
3	Stopper	1.4105
4	Shading ring	Silver
5	Spring	1.4310
6	Core	1.4113
7	Guide tube	1.4303
8	Glide ring	PTFE coal filled
9	Cover	PA6
10	Seal	FKM
11	Support ring	PPS Fortron
12	Coupling ring	PEEK
13	Holding cap	1.4301
14	Seat gasket	FKM
15	Outer seal	FKM
16	Body	Brass, Stainless steel 1.4408
17	Piston coupling	1.4401, PPS Fortron, PTFE, PEEK, FKM
18	Core seal	FKM

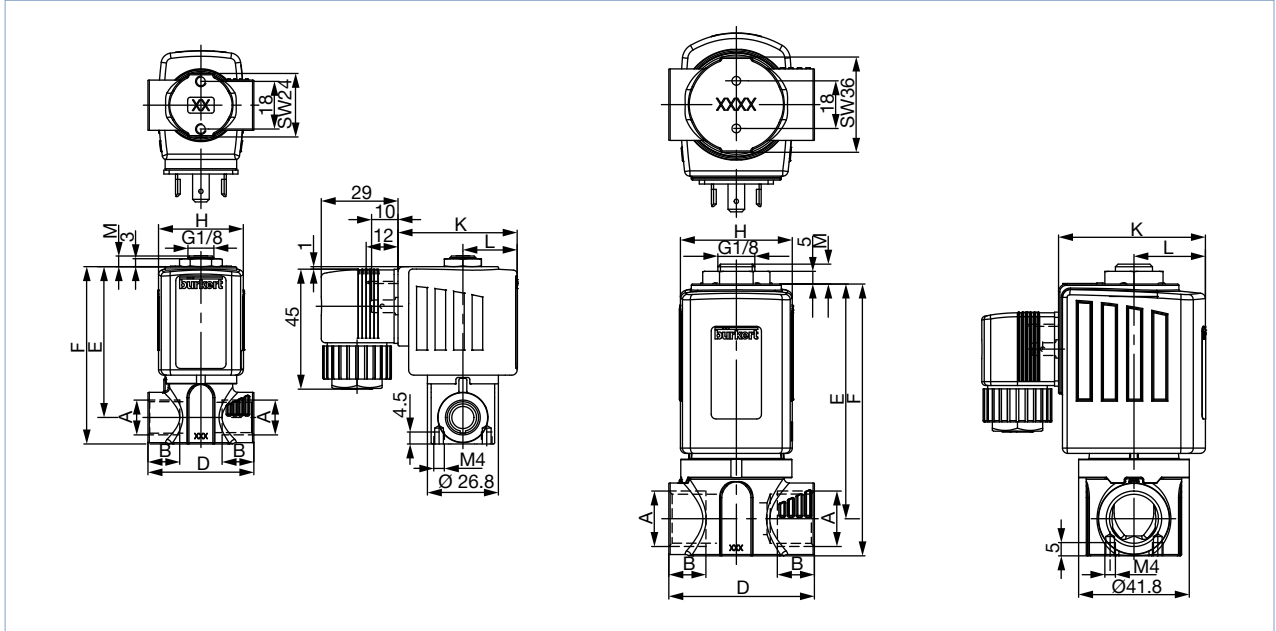
DTS 1000089730 EN Version: U Status: RL (released | freigegeben | validé) printed: 21.10.2019

4. Dimensions

4.1. Standard version

Note:

Dimensions in mm

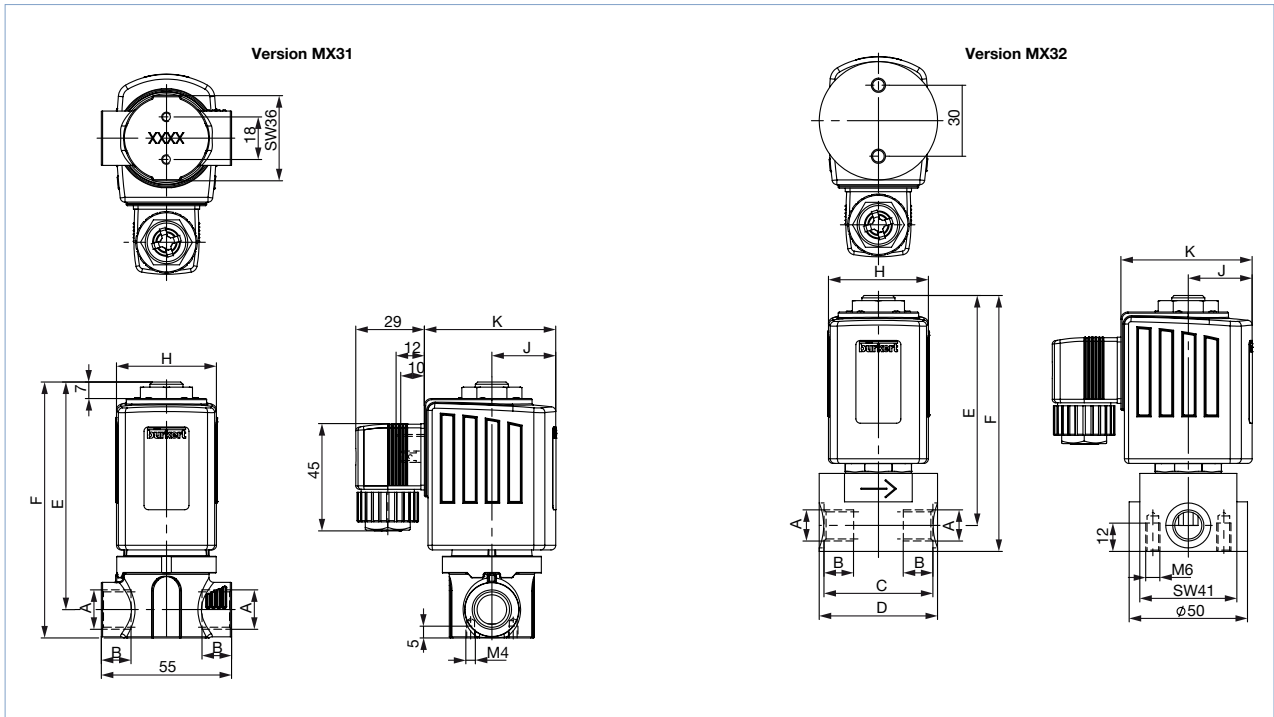


A (Gehäuseanschluss)	B	D	E	F	M	H	K	L
DN6								
G ¼	12	40	57,3	67,3	3,7	32	45	20,5
NPT ¼	10							
RC ¼	9,7							
G ⅜	12	50	58,3	70,3				
NPT ⅜	10,3							
RC ⅜	10,1							
G ½	12	40	57,3	67,3	3,7	40	51	23,5
NPT ½	10							
RC ½	9,7							
G ⅝	12	50	58,3	70,3				
NPT ⅝	10,3							
RC ⅝	10,1							
DN12								
G ½	14	55	89	103	7,5	42	55,5	27
NPT ½	13,7							
RC ½	13,2							

4.2. High pressure version MX31 & MX32 – DN6

Note:

Dimensions in mm



A	B	E	F
G ¼	13	95.2	105.2
NPT ¼	10	95.2	105.2
G ⅜	12	96.2	108.2
NPT ⅜	10.3	96.2	108.2

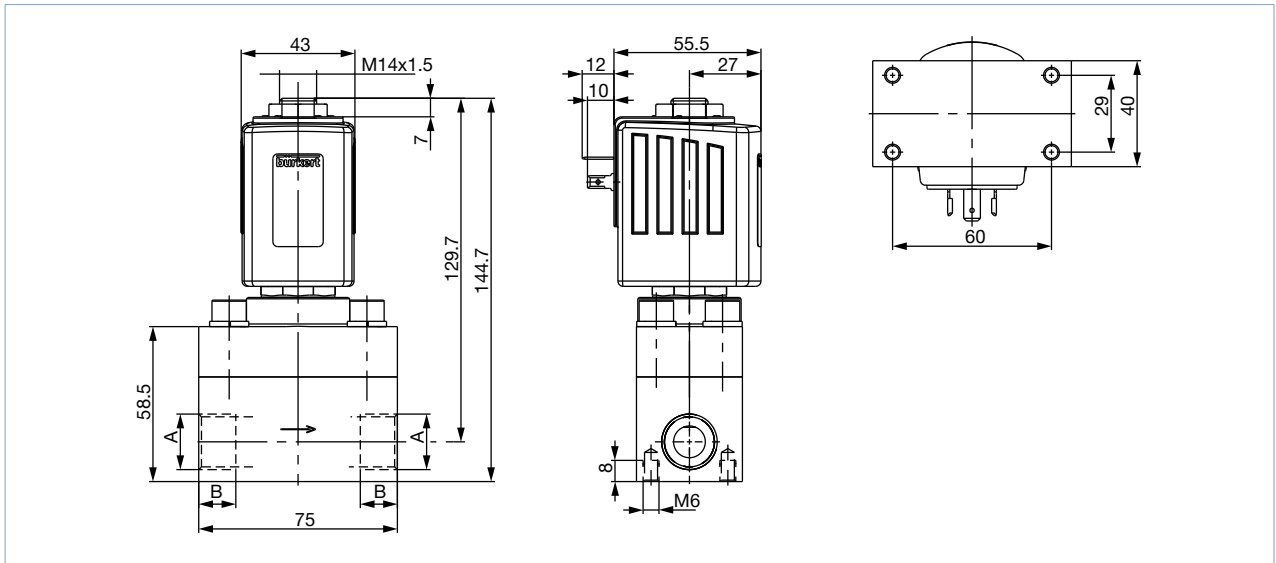
Coil size	H	J	K
K	42	27	55.5
L	65	37.5	72

A	B	C	D	E	F
G ¼	13	46	Ø 50	97.2	108.2
NPT ¼	10	46	Ø 50	97.2	108.2
G ⅜	12.5	44	44.4	98.7	111.2
NPT ⅜	10.3	44	44.4	98.7	111.2

4.3. High pressure version MX32 – DN12

Note:

Dimensions in mm

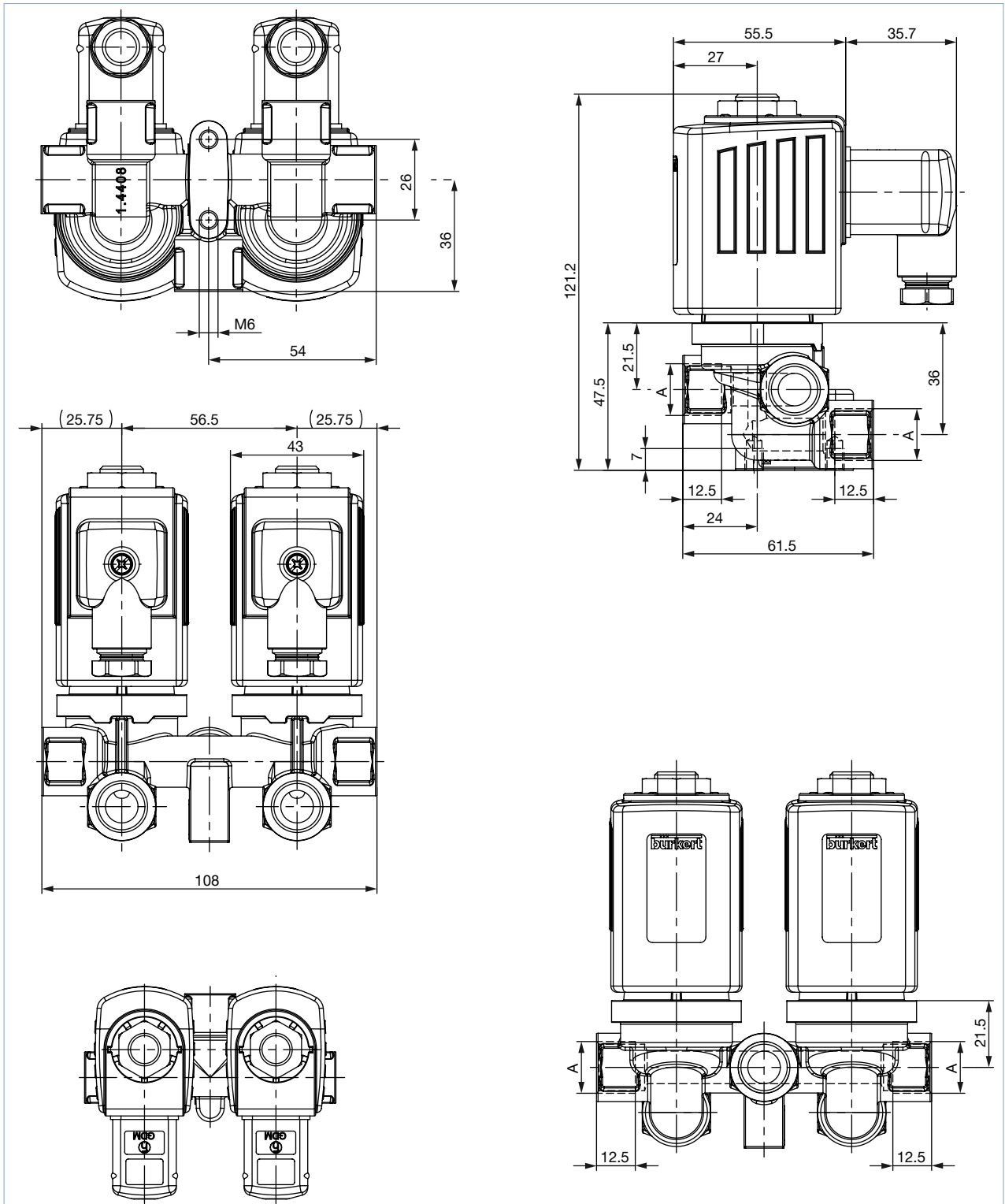


A	B
G ½	14
NPT ½	13.7

4.4. Solution for self-service car wash 160 bar (MX31)

Note:

Dimensions in mm

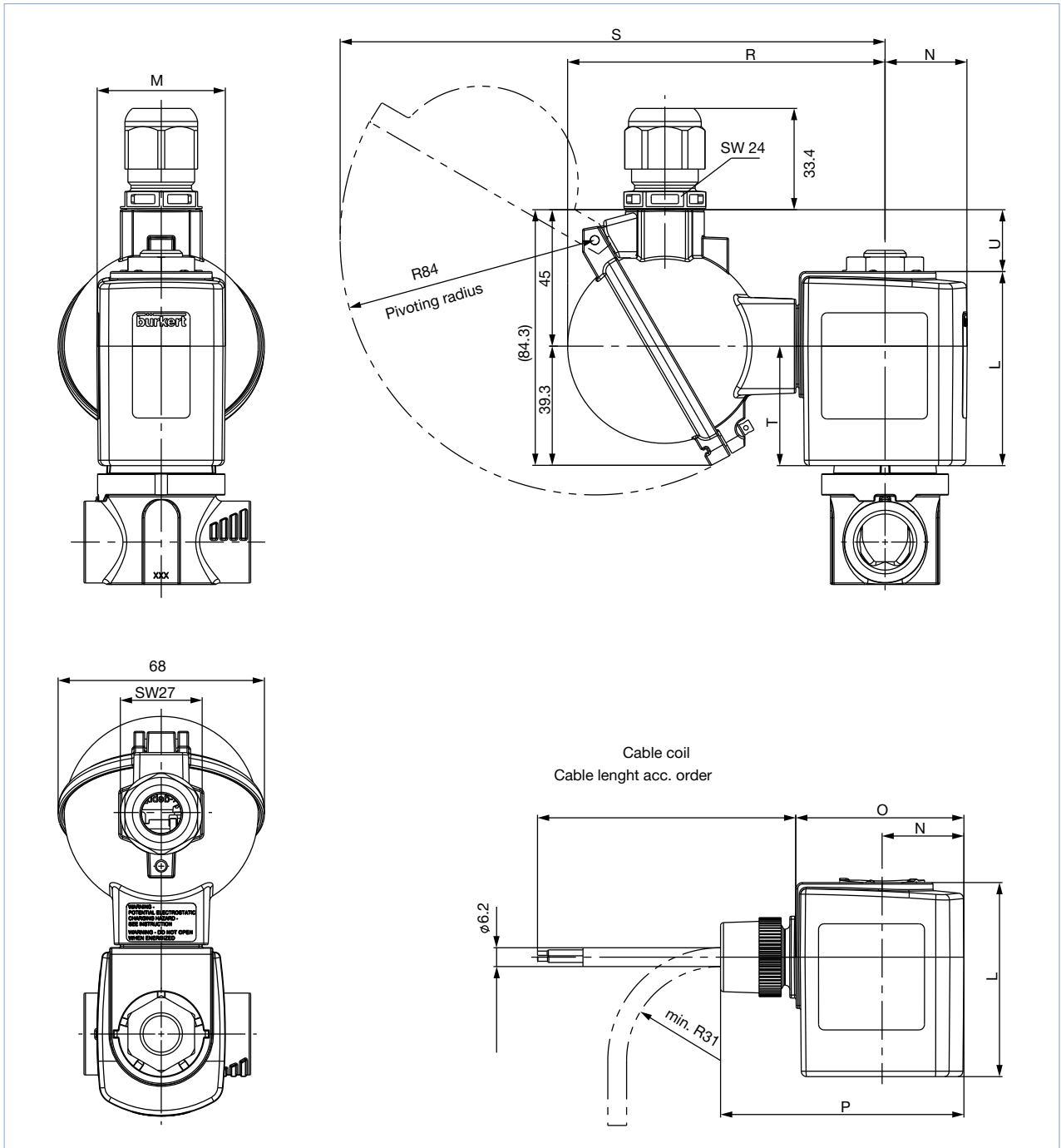


Version	A
AH40	G ¼
AH37	G ¾

4.5. ATEX-IECEEx version PX58, PX38 & PX39

Note:

Dimensions in mm

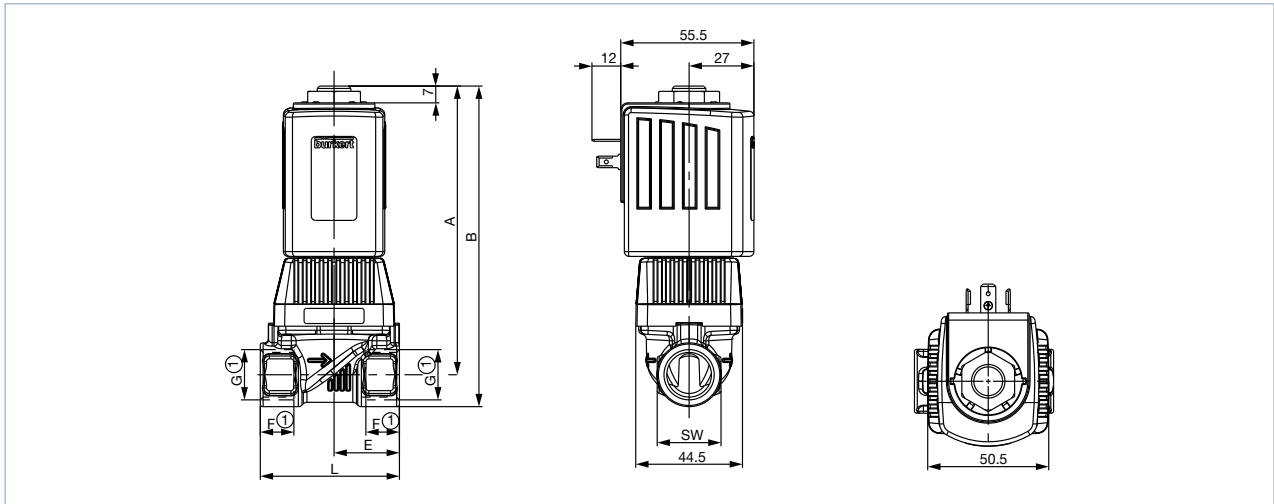


Var. Code	Coil size	M	N	O	P	L	R	S	T	U
PX32	6	40	23.5	52	74.8	41.3	102.8	177.5	26	29.7
PX38	K	42	27	55.5	80.3	64	104.8	179.8	39.4	20.4
PX39	L	65	37.5	72	97	64	110.8	185.8	39.4	20.4

4.6. DN13 version

Note:

- ① For G-thread sizes F1 and G1 apply. For NPT threads sizes F2 and G2 apply. For Rc threads sizes F3 and G3 apply
- ② Brass version
- ③ Stainless steel version
- ④ Brass and stainless steel version
- Dimensions in mm



Material	DN	A	B	E	F1	G1	F2	G2	F3	G3	L	SW
②	13	120.35	133.85	27.25	14	G 1/2	13.7	NPT 1/2	13.2	Rc 1/2	58	27
③	13	120.35	133.85	32.5	14	G 1/2	13.7	NPT 1/2	13.2	Rc 1/2	65	27
④	13	122.35	138.35	32.5	16	G 3/4	14	NPT 3/4	14.5	Rc 3/4	65	32

5. Performance specifications

5.1. Electrical power consumption

Note:

KD coil AC/DC „Kick and Drop“ coil (KD coil) Integrated electronics for short-term power increase and reduction in dual coil technology


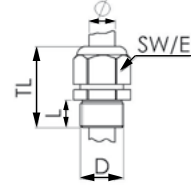

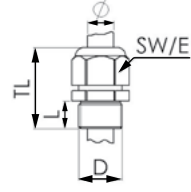
Coil size	AC			DC		ATEX/IECEX AC/DC	KD-Coil AC/DC		
	Inrush	Hold		Cold	Warm	Nominal power	Cold Inrush	Hold	Warm Hold
[mm]	[VA]	[VA]	[W]	[W]	[W]	[W]	[W] 500 ms	[W]	[W]
32 (5)	32	18	8	12	10	–	–	–	–
40 (6)	40	23	10	14	12	9	–	–	–
42 (K)	150	37	16	21	16	12	85	8,5	7
65 (L)	–	–	–	28	21	20	–	–	–

6. Product accessories

6.1. Cable glands for ATEX/IECEX terminal box

Note:

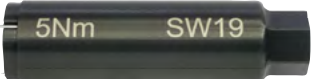
- A cable gland in polyamide version is included in the delivery. A nickel-plated brass version can be ordered at a surcharge.
- This special tool is not supplied with the valve (see [“Cable glands for ATEX/IECEX terminal box”](#) on page 21)

Description	Ex-Approval		Dimensions											
	Certification	Identification												
Ex cable gland, Brass, nickelplated, 6...13 mm 	PTB 04 ATEX 1112 X, IECEx PTB 13.0027X	II 2 G Ex e IIC Gb, I 2 D Ex tb IIIC Db IP68		<table border="1"> <tr><td>TL</td><td>29...37 mm</td></tr> <tr><td>L</td><td>6 mm</td></tr> <tr><td>D</td><td>20 mm</td></tr> <tr><td>SW</td><td>24 mm</td></tr> <tr><td>E</td><td>27 mm</td></tr> </table>	TL	29...37 mm	L	6 mm	D	20 mm	SW	24 mm	E	27 mm
TL	29...37 mm													
L	6 mm													
D	20 mm													
SW	24 mm													
E	27 mm													
Ex cable gland, Polyamide, 7...13 mm 	PTB 13 ATEX 1015 X, IECEx PTB 13.0034X	II 2 G Ex e IIC Gb, II 2 D Ex tb IIIC Db IP68		<table border="1"> <tr><td>TL</td><td>36...45 mm</td></tr> <tr><td>L</td><td>10 mm</td></tr> <tr><td>D</td><td>20 mm</td></tr> <tr><td>SW</td><td>24 mm</td></tr> <tr><td>E</td><td>28 mm</td></tr> </table>	TL	36...45 mm	L	10 mm	D	20 mm	SW	24 mm	E	28 mm
TL	36...45 mm													
L	10 mm													
D	20 mm													
SW	24 mm													
E	28 mm													

6.2. Special tool to turn the junction box

Note:


- This special tool is not supplied with the valve (see [“Cable glands for ATEX/IECEX terminal box”](#) on page 21).
- This special tool can only be used with ATEX AC10 coils.

Set SC02-AC10	
	Set includes: <ul style="list-style-type: none"> • Special wrench • Service manual

DTS 1000089730 EN Version: U Status: RL (released | freigegeben | validé) printed: 21.10.2019

7. Ordering information

7.1. Bürkert eShop – Easy ordering and quick delivery




Bürkert eShop – Easy ordering and fast delivery

You want to find your desired Bürkert product or spare part quickly and order directly? Our online shop is available for you 24/7. Sign up and enjoy all the benefits.

[Order online now](#)

7.2. Bürkert product filter



Bürkert product filter – Get quickly to the right product

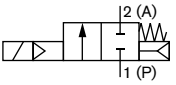
You want to select products comfortably based on your technical requirements? Use the Bürkert product filter and find suitable articles for your application quickly and easily.

[Try out our product filter](#)

7.3. Ordering chart standard version

Note:

- Please note that the cable plug must be ordered separately, see [“Cable plug Type 2518, Form A according to DIN EN 175301-803” on page 20](#) or separate data sheet for **Type 2518** ▶.
- Other versions with alternative voltages, NPT or RC internal thread, seal material EPDM/EPDM available on request.

Circuit function	Port connection	Orifice [mm]	K _v -value water [m³/h]	Pressure range [bar]	Coil size [mm]	Article no. acc. to voltage/frequency		
						024/DC [V/Hz]	024/50 [V/Hz]	230/50 [V/Hz]
G internal thread, seal material FKM/FKM								
Type: A, solenoid valve 2/2 way Servo-controlled Normally closed 	Brass body							
	G ¼	6.0	0.6	0...16	32	177800	177801	177802
	G ⅜	6.0	0.6	0...16	32	177803	177804	177805
	Stainless steel body							
	G ¼	6.0	0.6	0...16	32	177806	177807	177808
	G ½	12.0	2.2	0...16	42	238632	238633	238634

DTS 1000089730 EN Version: U Status: RL (released | freigegeben | validé) printed: 21.10.2019

7.4. Ordering chart high temperature version

Note:

- Please note that the cable plug must be ordered separately, see [“Cable plug Type 2518, Form A according to DIN EN 175301 - 803” on page 20](#) or separate data sheet for **Type 2518** ▶.
- Other versions with alternative voltages, NPT or RC internal thread, seal material EPDM/EPDM available on request.

Circuit function	Port connection	Orifice	K _v -value water	Pressure range		Coil size	Article no. acc. to voltage/frequency		
				liquids	gases		024/DC	024/50	230/50
		[mm]	[m ³ /h]	[bar]	[bar]	[mm]	[V/Hz]	[V/Hz]	[V/Hz]
G internal thread, stainless steel body, seal material PTFE/PEEK									
Type: A, solenoid valve 2/2 way Servo-controlled Normally closed 	Medium temperature - 40...+ 180 °C								
	G ¼	6.0	0.6	0...16		32	184739	184740	184741
	Medium temperature - 40...+ 140 °C								
	G ½	12.0	2.2	0...25		42	238638	238639	238640

7.5. Ordering chart increased pressure range MW06

Note:

- Please note that the cable plug must be ordered separately, see [“Cable plug Type 2518, Form A according to DIN EN 175301 - 803” on page 20](#) or separate data sheet for **Type 2518** ▶.
- Other versions with alternative voltages, NPT or RC internal thread, seal material EPDM/EPDM available on request.

Circuit function	Port connection	Orifice	K _v -value water	Pressure range		Coil size	Article no. acc. to voltage/frequency		
				liquids	gases		024/DC	024/50	230/50
		[mm]	[m ³ /h]	[bar]	[bar]	[mm]	[V/Hz]	[V/Hz]	[V/Hz]
G internal thread, brass body, seal material PTFE/FKM									
Type: A, solenoid valve 2/2 way Servo-controlled Normally closed 	Medium temperature - 40...+ 180 °C								
	G ¼	6.0	0.6	0...25	0...40	40	184742	184743	184744
	G ⅜	6.0	0.6	0...25	0...40	40	184745	184746	184747

DTS 1000089730 EN Version: U Status: RL (released | freigegeben | validé) printed: 21.10.2019

7.6. Ordering chart version DIN EN 161 automatic shut-off valves for gas burners

Note:

Other versions with alternative voltages, body material and connection combinations are available on request.

Circuit function	Port connection	Orifice [mm]	K _v -value water [m ³ /h]	Max. Media pressure gas [bar]	Body material [bar]	Coil size [mm]	Article no. acc. to voltage/frequency		
							024/DC	024/50	230/50
							[V/Hz]	[V/Hz]	[V/Hz]
G internal thread, brass body, seal material NBR/NBR									
Type: A, solenoid valve 2/2 way Servo-controlled Normally closed 	G ¼	6.0	0.6	0...16	Brass	32	253501	On request	287855
	G ½	12.0	2.2	0...16	Stainless steel	42	253502	On request	287438

7.7. Ordering chart high pressure version DN6 – pressure range up to 160 bar (MX31)

Note:

- KD-coil (Kick and Drop) contains integrated electronics for short-term power increase and decrease in double-coil Technology.
- Other versions with alternative voltages, seal materials, NPT or RC internal thread are available on request.
- For the following table: Orifice 6.0 and K_v-value water [m³/h] 0.75.
- The wear-resistant PCTFE seat seals ensure a seat tightness of < 2 cm³/min (air 20°C) only from a differential pressure of 20 bar.

Circuit function	Port connection	Max. Pressure difference [bar]						Coil size [mm]	Article no. acc. to voltage/frequency		
		Water		Oil		Air			024/DC	024/50	230/50
		DC	AC	DC	AC	DC	AC		[V/Hz]	[V/Hz]	[V/Hz]
Body material Stainless steel, G internal thread, seal material PCTFE/FKM, cable plug with integrated rectifier for AC included in delivery											
Type: A, solenoid valve 2/2 way Servo-controlled Normally closed 	Medium temperature -40...+180 °C										
	G ¼	1...100	1...100	1...80	1...80	1...100	1...100	42	300602	-	300603
	G ¼	-	1...90	-	1...60	-	1...90	42	-	318327	-
	G ⅜	1...120	1...120	1...80	1...80	1...120	1...120	42	323476	-	323477
G ⅜	-	1...90	-	1...60	-	1...90	42	-	323478	-	

DTS 1000089730 EN Version: U Status: RL (released | freigegeben | validé) printed: 21.10.2019

7.8. Ordering chart high pressure version DN6 – pressure range up to 250 bar (MX32)

Note:

- KD-coil (Kick and Drop) contains integrated electronics for short-term power increase and decrease in double-coil Technology.
- Other versions with alternative voltages, seal materials, NPT or RC internal thread are available on request.
- For the following table: Orifice 6.0 and K_v -value water [m³/h] 0.75.
- The wear-resistant PCTFE seat seals ensure a seat tightness of < 2 cm³/min (air 20°C) only from a differential pressure of 20 bar.

Circuit function	Port connection	Max. Pressure difference [bar]						Coil size [mm]	Article no. acc. to voltage/frequency		
		Water		Oil		Air			024/DC	024/50	230/50
		DC	AC	DC	AC	DC	AC		[V/Hz]	[V/Hz]	[V/Hz]
Body material Stainless steel, G internal thread, seal material PCTFE/FKM											
Type: A, solenoid valve											
Medium temperature -40...+180 °C											
2/2 way Servo-controlled Normally closed 	G ¼	1...230	–	1...200	–	1...250	–	65	319700 ☒	–	–
	G ¼	–	1...230	–	1...200	–	1...250	42	–	323479 ☒	323480 ☒
	G ¾	1...230	1...120	1...200	–	1...250	–	65	323481 ☒	–	–
	G ¾	–	1...230	–	1...200	–	1...250	42	–	323482 ☒	323483 ☒

7.9. Ordering chart high pressure version DN12 – pressure range up to 250 bar (MX32)

Note:

- Other versions with alternative voltages, seal materials, NPT or RC internal thread are available on request.
- For the following table: Orifice 12.0 and K_v -value water [m³/h] 2.2.
- The wear-resistant PCTFE seat seals ensure a seat tightness of < 2 cm³/min (air 20°C) only from a differential pressure of 20 bar.

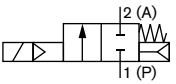
Circuit function	Port connection	Max. Pressure difference [bar]						Coil size [mm]	Article no. acc. to voltage/frequency		
		Water		Oil		Air			024/DC	024/50	230/50
		DC	AC	DC	AC	DC	AC		[V/Hz]	[V/Hz]	[V/Hz]
Body material Stainless steel, G internal thread, seal material PCTFE/FKM, cable plug with integrated rectifier for AC included in delivery											
Type: A, solenoid valve											
Medium temperature -40...+180 °C											
2/2 way Servo-controlled Normally closed 	G ½	1...250	1...250	1...250	1...250	1...250	1...250	42	312895 ☒	–	314877 ☒
	G ½	1...250	1...250	1...200	1...200	1...250	1...250	42	–	323484 ☒	–
Type: B, solenoid valve	G ½	1...200	1...200	1...150	1...150	1...250	1...250	42	314875 ☒	323485 ☒	323486 ☒
2/2 way Servo-controlled Normally open 											

DTS 1000089730 EN Version: U Status: RL (released | freigegeben | valide) printed: 21.10.2019

7.10. Ordering chart version self-service car wash 160 bar (MX31)

Note:

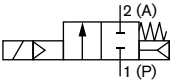
Other versions with alternative voltages, NPT or RC internal thread are available on request.

Circuit function	Port connection	Orifice single valve	K _v -value water single valve	Max. Pressure difference	Coil size	Article no. acc. to voltage/frequency	
		[mm]	[m ³ /h]	[bar]		[mm]	024/DC [V/Hz]
Seal material FKM/FKM							
Type: A, solenoid valve 2/2 way Servo-controlled Normally closed 	Brass body						
	G 1/4	6.0	0.75	1...120	42	333330	333331
	G 3/8	6.0	0.75	1...120	42	360692	320736

7.11. Ordering chart steam version DN13

Note:

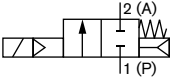
Other versions with alternative voltages, NPT or RC internal thread are available on request.

Circuit function	Port connection	Orifice	K _v -value water	Max. Media pressure steam	Coil size	Article no. acc. to voltage/frequency	
		[mm]	[m ³ /h]	[bar]		[mm]	024/50 [V/Hz]
Seal material FKM/FKM							
Type: A, solenoid valve 2/2 way Servo-controlled Normally closed 	Brass body						
	G 1/2	13.0	4	0...4	42	315069	244912
	G 3/4	13.0	4	0...4	42	315072	244915
	Stainless steel body						
	G 1/2	13.0	4	0...4	42	323434	323436
	G 3/4	13.0	4	0...4	42	323437	323438

7.12. Ordering chart standard version – ATEX/IECEx with 3 meter cable

Note:

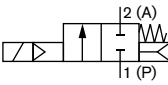
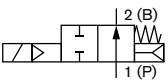
Other versions with alternative voltages, NPT or RC internal thread, seal material EPDM/EPDM available on request.

Circuit function	Port connection	Orifice	K _v -value water	Pressure range	Coil size	Article no. acc. to voltage/frequency	
		[mm]	[m ³ /h]	[bar]		[mm]	024/50...60 [V/Hz]
G internal thread, seal material FKM/FKM							
Type: A, solenoid valve 2/2 way Servo-controlled Normally closed 	Brass body						
	G 1/4	6.0	0.6	0...16	40	349315	349316
	G 3/8	6.0	0.6	0...16	40	349318	349320
	Stainless steel body						
	G 1/4	6.0	0.6	0...16	40	349322	349324
	G 3/8	6.0	0.6	0...16	40	349326	349329
	G 1/2	12.0	2.2	0...8	42	298643	298644
G 1/2	12.0	2.2	0...16	65	312997	312998	

7.13. Ordering chart high pressure version – ATEX/IECEX with 3 meter cable

Note:

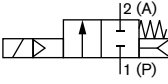
Other versions with alternative voltages, NPT or RC internal thread, seal material PCTFE/EPDM available on request.

Circuit function	Port connection	Orifice [mm]	K _v -value water [m ³ /h]	Max. Pressure difference			Coil size [mm]	Article no. acc. to voltage/frequency	
				Water	Oil	Air		024/DC	230/50
				[bar]	[bar]	[bar]		[V/Hz]	[V/Hz]
G internal thread, Stainless steel body, seal material PCTFE/FKM									
Type: A, solenoid valve 2/2 way Servo-controlled Normally closed 	Pressure rating up to 160 bar								
	G 1/4	6.0	0.6	1...160	1...120	1...160	65	323487	On request
	G 3/8	6.0	0.6	1...160	1...120	1...160	65	323489	On request
	Pressure rating up to 250 bar								
	G 1/2	12.0	2.2	1...200	1...150	1...250	42	323491	314879
	G 1/2	12.0	2.2	1...250	1...250	1...250	65	323492	314883
Type: B, solenoid valve 2/2 way Servo-controlled Normally open 	G 1/2	12.0	2.2	1...200	1...150	1...250	65	335230	On request

7.14. Ordering chart standard version – ATEX/IECEX terminal box

Note:

Other versions with alternative voltages, NPT or RC internal thread, seal material EPDM/EPDM available on request.

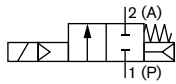
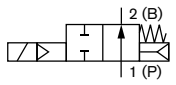
Circuit function	Port connection	Orifice [mm]	K _v -value water [m ³ /h]	Pressure range [bar]	Coil size [mm]	Article no. acc. to voltage/frequency	
						024/50	230/50
						[V/Hz]	[V/Hz]
G internal thread, seal material FKM/FKM							
Type: A, solenoid valve 2/2 way Servo-controlled Normally closed 	Brass body						
	G 1/4	6.0	0.6	0...16	40	349314	349317
	G 3/4	6.0	0.6	0...16	40	349318	349321
	Stainless steel body						
	G 1/4	6.0	0.6	0...16	40	349322	349325
	G 3/4	6.0	0.6	0...16	40	349327	349328
	G 1/2	12.0	2.2	0...8	42	313002	313004
	G 1/2	12.0	2.2	0...16	65	313005	313006





DTS 1000089730 EN Version: U Status: RL (released | freigegeben | valide) printed: 21.10.2019

7.15. Ordering chart high pressure version – ATEX/IECEx terminal box

Note:

Other versions with alternative voltages, NPT- or RC-internal thread, seal material PCTFE/EPDM are available on request.

Circuit function	Port connection	Orifice [mm]	K _v -value water [m³/h]	Max. Pressure difference			Coil size [mm]	Article no. acc. to voltage/frequency	
				Water	Oil	Air		024/DC	230/50
				[bar]	[bar]	[bar]		[V/Hz]	[V/Hz]
G internal thread, Stainless steel body, seal material PCTFE/FKM									
Type A, solenoid valve 2/2 way Servo-controlled Normally closed 	Pressure rating up to up to 160 bar								
	G ¼	6.0	0.6	1...160	1...120	1...160	65	323488	On request
	G ⅜	6.0	0.6	1...160	1...120	1...160	65	323490	On request
	Pressure rating up to up to 250 bar								
	G ½	12.0	2.2	1...200	1...150	1...250	42	314886	On request
	G ½	12.0	2.2	1...250	1...250	1...250	65	323493	On request
Type B, solenoid valve 2/2 way Servo-controlled Normally open 	G ½	12.0	2.2	1...200	1...150	1...250	65	314890	336329


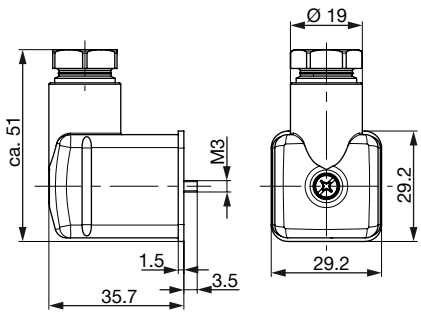
Further versions on request	
 Material Seal: EPDM	 Process connection Flange connection acc. to DIN 2501 (DN25...50)
 Voltage 042/50, 110/50, 240/50	 Approval Gas transportation DIN EN 3394 - 1 UL(UL-listed) UR(UL-recognized) FDA(Food and Drug Administration) Versions for oxygen applications

7.16. Ordering chart accessories

Cable plug Type 2518, Form A according to DIN EN 175301 - 803

Note:

Further versions see data sheet **Type 2518** ▶.

Cable plug	Dimensions	Version	Voltage	Article no.
		Without circuitry (AC/DC)	0...250 V AC/DC	314802
		With LED (AC/DC)	12...24 V AC/DC	314812
		With LED and varistor (AC/DC)	12...24 V AC/DC	314820
		With rectifier, LED and varistor	12...24 V AC/DC	314816

DTS 1000089730 EN Version: U Status: RL (released | freigegeben | valide) printed: 21.10.2019

Cable plug Type 2513, form A acc. to DIN EN 175301 - 803

Note:

- The Cable plug Type 2513 meets the requirements of ATEX category 3 GD.
- For more information on the cable plug, see data sheet **Type 2513** ▶.

Cable plug	Circuit diagram	Cable length [mm]	Article no.
		12000	260893
		5000	260892
		3000	260891
		300	260890

Cable glands for ATEX/IECEX terminal box

Note:

- A cable gland in polyamide version is included in the delivery. A nickel-plated brass version can be ordered at surcharge.
- For more information on Ex cable glands, see **“6.1. Cable glands for ATEX/IECEX terminal box” on page 13.**

Description	Article no.
Ex cable gland, brass, nickelplated, 6...13 mm ^{1.)}	773278
Ex cable gland, polyamide, 7...13 mm ^{1.)}	773277
Set SC02-AC10: Special wrench ^{2.)} incl. service manual	293488

1.) Cable diameter

2.) Not included in the scope of delivery of the valve Befestigungsbügel

Mounting bracket for Type 6027/6240

Note:

- The scope of delivery includes the mounting bracket, two cylinder screws M4x8 and two spring rings.
- The mounting bracket can be used for all standard and high-pressure versions DN6 MX31 up to 160 bar including ATEX/IECEX option.
- The mounting bracket cannot be used for the DN13 version and high-pressure versions MX32 up to 250 bar made from solid material.

Description	Article no.
	282304

Bürkert – Close to You

For up-to-date addresses
please visit us at
www.burkert.com

DTS 1000089730 EN Version: U Status: RL (released | freigegeben | validé) printed: 21.10.2019

