

Flow Indicator

FRA

H₂O



OVERVIEW

Operation

- Impeller

Application

- Cooling systems and cooling circuits
- Mechanical engineering
- Water treatment
- Pharmaceutical industry
- Research & Development

Features

- Universal orientation
- High reliability
- Cleaning of sight glass during operation
- Threaded connection

Installation information

- The installation of the flow indicator can be done in any way in the system. The flow direction must be observed.
At very low flow rates, we recommend a vertical installation with flow from bottom to top.
The flow indicator must not be used as a supporting part in a pipe construction!
The medium must not contain any solid particles!
We recommend the installation of strainers type SFD or type SFM.
- **Download: www.meister-flow.com**

OPERATING DATA

Operating pressure, max.	16 bar
Pressure drop	0,25 bar
Temperature, max.	100 °C
Process connection	Threaded

MEASURING RANGES

Type	Display range for H ₂ O at 20 °C		
	l/min	gph	gpm
FRA-8	0,7 – 4		
FRA-10	0,8 – 8		
FRA-15	1,4 – 12		
FRA-20	1,4 – 25		
FRA-25	1,7 – 40		
FRA-32	8 – 80		
FRA-40	8 – 100		

MATERIALS

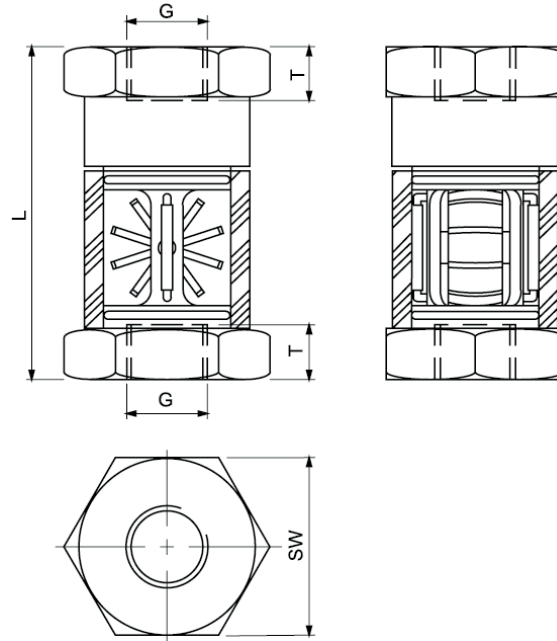
Brass version, wetted parts

Housing:	Brass, nickel-plated
Rotor (DN 8 - DN 25):	POM red
Rotor (DN 32 - DN 40):	Nylon white
Plain bearing:	PEEK
Gaskets:	NBR
Wiper:	NBR

Stainless steel version, wetted parts

Housing:	1.4305
Rotor (DN 8 - DN 25):	POM red
Rotor (DN 32 - DN 40):	Nylon white
Plain bearing:	PEEK
Gaskets:	FKM
Wiper:	FKM

TECHNICAL DRAWING



SUMMARY OF TYPES

Type	Overall dimensions [mm]				Weight approx. [g]
	G	SW	L	T	
FRA-8	1/4"	36	71	9	350
FRA-10	3/8"	36	71	9	350
FRA-15	1/2"	46	86	13	650
FRA-20	3/4"	46	94	16	650
FRA-25	1"	46	104	16	650
FRA-32	1 1/4"	65	120	19	1600
FRA-40	1 1/2"	65	130	20	1700



MASTERPIECES MADE IN GERMANY

FRA 4 0001 12-15 E M

Meister Strömungstechnik GmbH • Im Gewerbegebiet 2 • 63831 Wiesen / Germany
Tel. +49 (0) 6096 9720-0 • Fax +49 (0) 6096 9720-30 • sales@meister-flow.com • www.meister-flow.com
The general business terms of Meister Strömungstechnik GmbH are valid • All rights reserved

