

Product Information NCS-11...-L60, NCS-L-11...-L60, NCS-11...-L100, NCS-L-11...-L100 **FOOD**

Capacitive level switch NCS for double-walled or insulated tanks



Application/Specified usage

- Point level detection of liquids with a dielectric constant (DC) $\epsilon_r \geq 20$ in double-walled or insulated tanks

Application examples

- Point level detection of liquids in vessels (sideways build-in position)
- Full alarm in vessels and tanks with build-in position from top (type NCS-L)
- Empty alarm in vessels and tanks with build-in position from bottom (type NCS-L)
- Pump/dry running protection

Hygienic design/Process connection

- Flow-optimized, hygienic and easy sterilizable installation configuration with Negele weld-in sleeve EMZ-132/L60.
- CIP/SIP cleaning at up to 143 °C/max. 120 minutes
- FDA-compliant sensor materials in contact with medium
- Sensor of stainless steel, sensor tip of PEEK/stainless steel

Features

- Independent of the conductivity
- NCS-L: Insensitive to foam and adherence, reliable at pasty media
- Short response time (< 1 s)
- Reversible output (full / empty active)
- Heated electronic to avoid condensation
- Simulation of sensor status possible

Options / Accessories

- LED as switching state indicator with inspection window lid
- NPN output (Open Collector)
- M12 connector and fitting preassembled cable
- Heating element switched off for extension of the temperature range

Measuring principle

Details on the functional principle can be found in the product information „NCS-x1-x2-L-xX“ or „NCS-x1P_NCS-x2P“.

Accessories

EMZ-132-L60	Weld-in sleeve 60 mm
EMZ-132-L100	Weld-in sleeve 104 mm
ESD-132/L60	Welding mandrel for 60 mm and 104 mm sleeve

Conventional usage

- Not suitable for applications in explosive areas.
- Not suitable for applications in security-relevant equipments (SIL).



Authorizations



NCS-11/...-L60



NCS-L-11/...-L60



NCS-L-11/...-L60



EMZ-132/L60

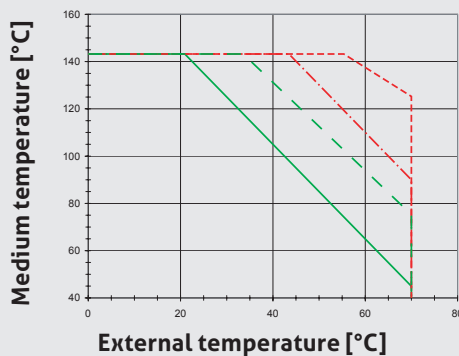


ESD-132/L60



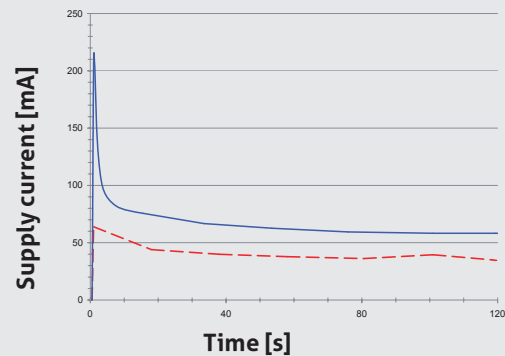
Specification		
Process connection	Thread	M12 x 1,5, G1/2" CLEANadapt, combined with Negele weld-in sleeve EMZ-132/L60
	Tightening torque	Max. 5...10 Nm
Materials	Connection head	Stainless steel 1.4305
	Connection piece	Stainless steel 1.4305
	Spacer	Stainless steel 1.4305
	Sensor tip NCS-1x	PEEK (FDA approval number 21CFR 177.2415)
	Sensor tip NCS-L-1x	Stainless steel 1.4404
Surface quality		$R_a \leq 0.8 \mu\text{m}$
Weight		Approx. 500 g
Operating pressure		Max. 10 bar
Electrical connection	Cable gland	M16 x 1.5 (PG)
	Cable connection	M12 connector, stainless steel 1.4305
Protection class		IP69 K (with cable connection) IP67 (with cable gland)
Power supply		16...32 V DC (see graphic)
Output		PNP (active 50mA, short-circuit-proof)
	Optional	NPN (max. 50mA, short-circuit-proof)
Switching function	Adjustable using supply polarity	High active (sensor wetted: 'high')
		Low active (sensor free: 'high')
Status indicator		LED
Measuring range		DC ≥ 20
Switching threshold		Switching threshold adjustable in steps DC = 20 ... DC = 70

Temperature range



- Constant temperature limit with heater
- - - Overtemperature (60 min) without heater
- Constant temperature limit without heater
- - - Overtemperature (60 min) without heater

Supply/Power input



- - - $U_b = 24 \text{ V}, T_u = 20 \text{ °C}$
- $U_b = 33 \text{ V}, T_u = -15 \text{ °C}$

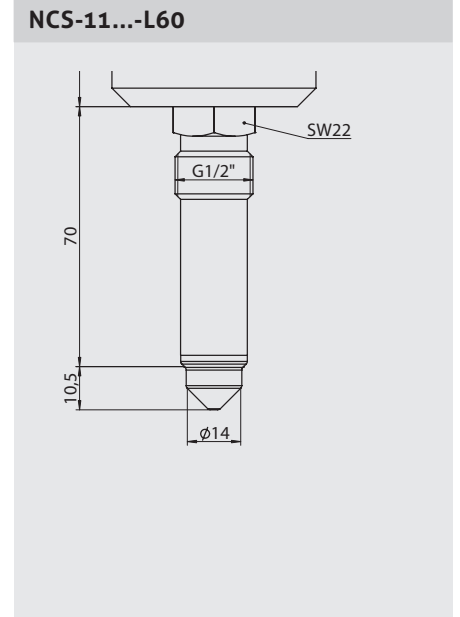
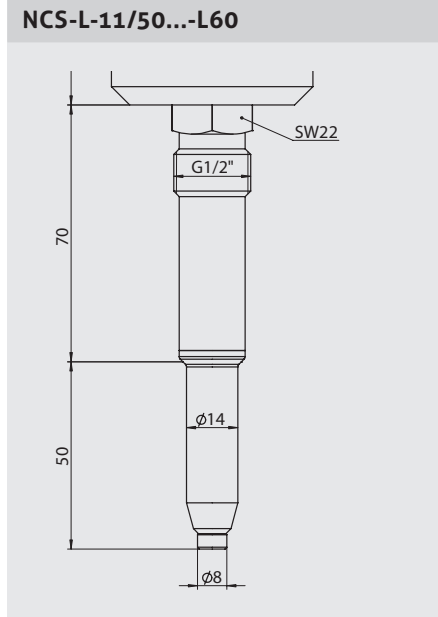
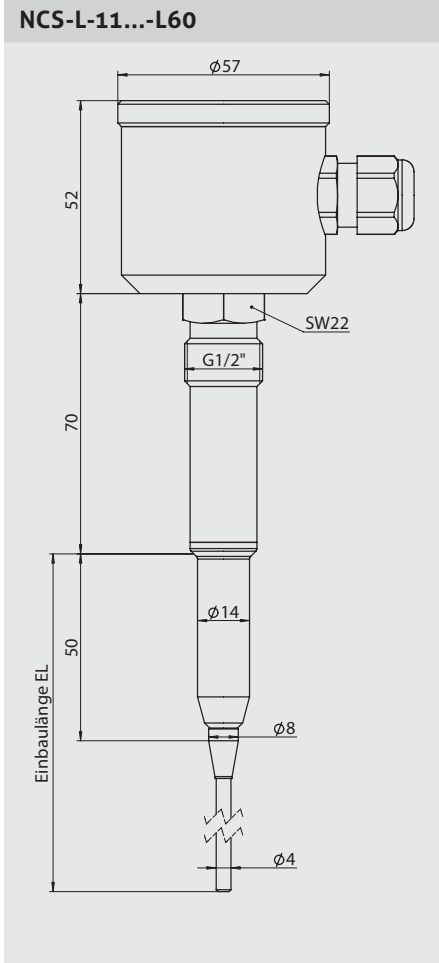
U_b : Supply voltage
 T_u : Ambient temperature

Electrical connection: terminal strip

Terminal strip	Full indicator	Empty indicator
	1: + 24 V DC 2: 0 V 3: Output	1: 0 V 2: + 24 V DC 3: Output

Electrical connection: M12 connector

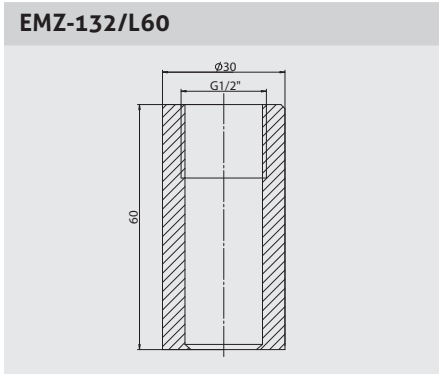
M12 connector	Full indicator	Empty indicator
	1: + 24 V DC 2: Not connected 3: 0 V 4: Output	1: 0 V 2: Not connected 3: + 24 V DC 4: Output



Mechanical connection/Installation instructions



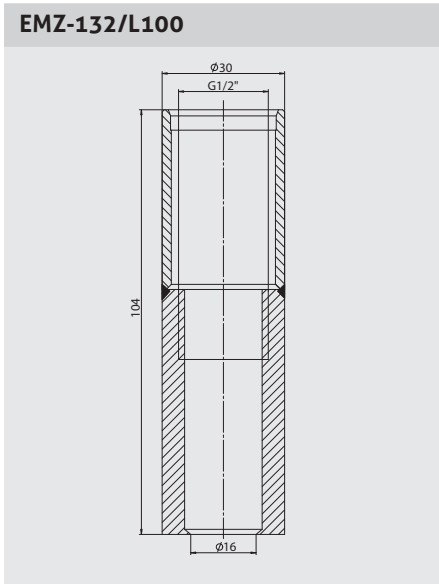
- For all types of NCS, use the Negele weld-in sleeve EMZ-132/L60 or EMZ-132/L100 to ensure reliable functioning of the measurement location.
- Note the maximum permissible tightening torque of 10 Nm when installing.
- To ensure that **CLEANadapt** weld-in sleeves are correctly installed, use a suitable welding mandrel. Follow the weld-in and installation instructions in the **CLEANadapt** product information.
- Do not use insulating sealants such as PTFE (Teflon) or similar.





Belated shortage of sensor rod



Sensor length can be shortened by up to 50 mm. Thereby immersion length needed for switching can vary after cut down. This is about 5 mm at watery media.



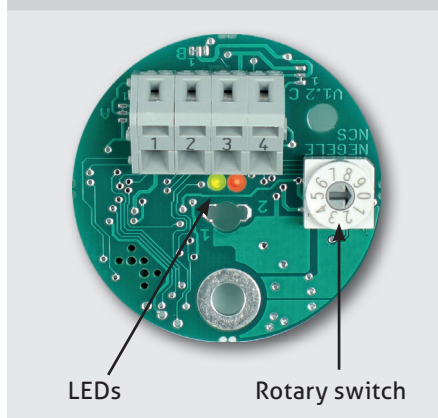
LED status display

Sensor tip	NCS-11...-L60 NCS-L-11...-L60
Covered	
Not covered	

Adjustment of threshold with rotary switch

Switch position	DC value ≥ 20 NCS-11 NCS-L-11
0	Output off
1	Output on
2	20
3	25
4	30
5	35
6	40
7	50
8	60
9	70

Electronics NCS-11, NCS-L-11



Transport/Storage

- No outdoor storage
- Store in an area that is dry and dust-free
- Do not expose to corrosive media
- Protect against solar radiation
- Avoid mechanical shock and vibration
- Storage temperature 0...40 °C
- Relative humidity max. 80%

Reshipment

- Sensors and process connection must be clean and must not be contaminated with hazardous media and/or heat-conductive paste. Note the cleaning information!
- To avoid damage of the equipment, use suitable transport packaging only.

Standards and guidelines

- Compliance with the applicable regulations and directives is mandatory.

Cleaning/Maintenance

- When using a pressure washer, do not point the nozzle directly at the electrical connections.

Notice on conformity

- Applicable guidelines:
Electromagnetic Compatibility Directive 2004/108/EC
- The CE label confirms compliance of this product with the applicable EC directives.
- You have to guarantee the compliance of all guidelines applicable for the entire equipment.

Disposal

- This instrument is not subject to the WEEE directive 2002/96/EC and the respective national laws.
- Give the instrument directly to a specialized recycling company and do not use the municipal collecting points.

Order code

NCS-11 (Standard sensor, submersion depth 11 mm, process connection CLEANadapt G 1/2" hygienic)
NCS-L-11 (Sensor for submersion depth up to 200 mm, process connection CLEANadapt G 1/2" hygienic)

Installation length EL (only selectable with NCS-L-11)

50 (Installation length 50 mm)
100 (Installation length 100 mm)
150 (Installation length 150 mm)
200 (Installation length 200 mm)

Please note the instructions on shortening the rod on page 3.

Output type

PNP (Standard, active 24 V DC)
NPN (NPN)

Temperature version

X (Standard: for process temperatures up to 100 °C; CIP/SIP 143 °C/120 min)
D (deactivated heater at higher ambient temperature)

Status-LED

X (not visible)
KF (Inspection window in lid, LED visible)
KKF (Inspection window in lid with cone)

Electrical connection

X (Cable gland M16 x 1.5)
M12 (M12 connector, 1.4305)

Special version for double-walled tanks

-L60 (Sleeve height = 60 mm)
-L100 (Sleeve height = 104 mm)

NCS-11 / / PNP / X / KF / M12 -L60