

# Accessories

## Connectors and cables

### Z 131



#### Features

- Female connector M23 with screwable nut
- With or without cable (shielded) in different lengths
- Cable version: shield is placed onto the connector housing

#### Part number

Z 131.001	Female connector M23, 16-pin, less cable
Z 131.003	Female connector M23, 16-pin, 2 m cable
Z 131.005	Female connector M23, 16-pin, 5 m cable
Z 131.007	Female connector M23, 16-pin, 10 m cable

#### Suitable for

GA210, GA211, GXA1W, GXP2W

#### Technical data

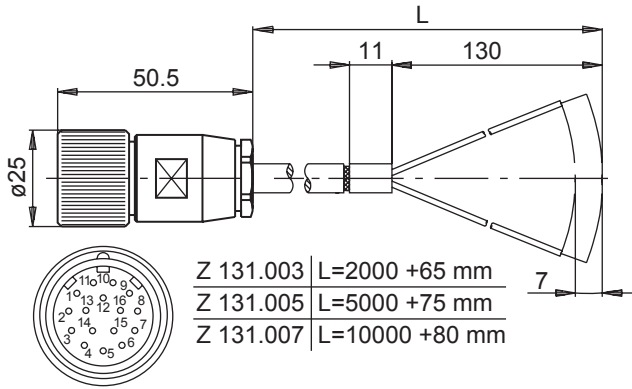
Voltage supply	<300 V
Core diameter	1.35 +0.05 mm 1.8 +0.1 mm
Cable length	2 m, 5 m, 10 m (further length upon request)
Cable type	LIY 14x0.14 mm <sup>2</sup> / 2x0.5 mm <sup>2</sup> (shielded cable)
Bending radius	15 x cable diameter
Outer diameter	10.1 +0.5 mm
Operating temperature	-25...+105 °C
Conductor resistance	0.14 mm <sup>2</sup> : <138 Ω/km (20 °C) 0.5 mm <sup>2</sup> : <38 Ω/km (20 °C)
Material	Cable jacket: PVC grey

# Accessories

## Connectors and cables

### Z 131

#### Dimensions



#### Terminal assignment

Connector	Core colour
Pin 1	violet
Pin 2	white/brown
Pin 3	white/green
Pin 4	white/yellow
Pin 5	white/grey
Pin 6	white/pink
Pin 7	white/blue
Pin 8	white/red
Pin 9	white/black
Pin 10	brown/green
Pin 11	green/grey
Pin 12	blue
Pin 13	yellow
Pin 14	brown
Pin 15	red
pin 16	pink

#### Twisted cores

- pink + yellow
- violet + white/brown + green/grey
- white/yellow + white/grey + white/green
- white/blue + white/pink + white/red
- white/black + brown/green + brown
- blue + red