

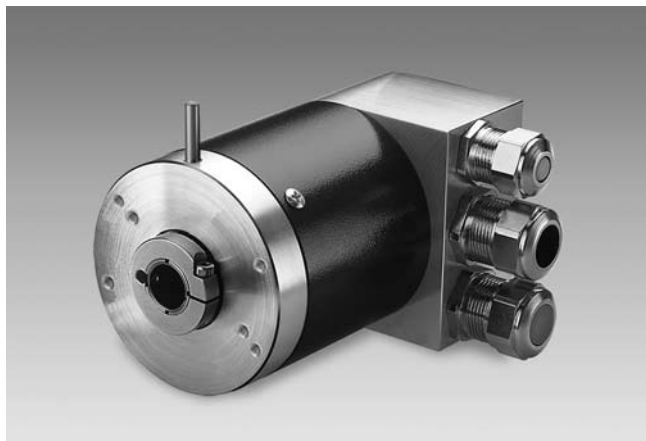
Absolute encoders - modular bus covers

Magnetical sensing, end shaft

Multiturn encoder 12 bit ST / 16 bit MT

CANopen / DeviceNet / EtherCAT / Profibus / SSI / fibre-optic

GCMMS - *magtivo*



GCMMS with modular bus cover

Features

- Encoder multiturn / bus cover
- Magnetic sensing
- Resolution: singleturn 12 bit, multiturn 16 bit
- End shaft $\varnothing 12$ mm
- Encoder for heavy-duty applications
- New innovative sensing technology
- Modular bus interface concept
- CANopen/DeviceNet/EtherCAT/Profibus/SSI/fibre-optic
- Code continuity check optional by bus

Technical data - electrical ratings

Voltage supply	10...30 VDC
Reverse polarity protection	Yes
Consumption w/o load	≤ 100 mA (24 VDC)
Initializing time (typ.)	250 ms after power on
Interfaces	Profibus-DPV0 / V2, CANopen, DeviceNet, EtherCAT, Fibre-optic bus, SSI
Function	Multiturn
User address	Rotary switch in bus cover (type-specific)
Steps per turn	4096 / 12 bit
Number of turns	65536 / 16 bit
Absolute accuracy	$\pm 1^\circ$
Sensing method	Magnetic
Code	Binary
Code sequence	CW/CCW programmable
Interference immunity	DIN EN 61000-6-2
Emitted interference	DIN EN 61000-6-4
Programmable parameters	Steps per revolution Number of revolutions Preset Scaling Rotational direction
Diagnostic functions	Position or parameter error Multiturn sensing
Status indicator	DUO-LED integrated in bus cover
Approval	UL approval / E63076

Technical data - mechanical design

Housing	$\varnothing 58$ mm
Shaft	$\varnothing 12$ mm end shaft
Protection DIN EN 60529	IP 54
Operating speed	≤ 6000 rpm (mechanical) ≤ 6000 rpm (electric)
Starting torque	≤ 0.015 Nm
Rotor moment of inertia	20 gcm ²
Materials	Housing: steel Flange: steel Bus cover: zinc die-cast or aluminium
Operating temperature	-25...+85 °C -40...+85 °C (optional)
Relative humidity	95 % non-condensing
Resistance	DIN EN 60068-2-6 Vibration 10 g, 16-2000 Hz DIN EN 60068-2-27 Shock 200 g, 6 ms
Weight approx.	650 g
Connection	Bus cover

Absolute encoders - modular bus covers

Magetical sensing, end shaft

Multiturn encoder 12 bit ST / 16 bit MT

CANopen / DeviceNet / EtherCAT / Profibus / SSI / fibre-optic

GCMMS - *magtivo*

Part number

GCMMS.

	20	
--	----	--

		Interface
	3P32	Profibus-DPV0 / cable gland
	3PA2	Profibus-DPV0 / connector M12
	3V32	Profibus-DPV2 / cable gland
	3VA2	Profibus-DPV2 / connector M12
	EPA2	EtherCAT / connector M12
	5P32	CANopen / cable gland
	5PA2	CANopen / connector M12
	8P22	DeviceNet / cable gland
	8PA2	DeviceNet / connector M12
	LM32	Fibre-optic / cable gland
	2PA2	SSI / connector M12
	<u>End shaft</u>	
0	End shaft ø12 mm without pin	
1	End shaft ø12 mm with pin 15 mm	
B	End shaft ø12 mm with pin 9.5 mm	

CD with file descriptions is not included in the delivery. You may order them on CD as accessory free-of-charge under part number Z 150.022. Matching bus covers are listed in "Accessories".

Accessories

Connectors and cables

Z 119.034 Connector for data cable fibre-optic

Mounting accessories

Z 119.024 Torque support and spring washer for encoders with 9.5 mm pin

Z 119.041 Torque support by rubber buffer element for encoders with 15 mm pin

Z 119.050 Spring coupling

Z 119.053 Spring coupling height 19.1 mm

Z 119.070 Spring coupling height 29.1 mm

Z 119.072 Spring coupling for encoders with ø58 mm housing, hole distance 73 mm

Z 119.073 Spring coupling for encoders with ø58 mm housing, hole distance 68 mm

Z 119.076 Spring coupling for encoders with ø58 mm housing

Z 119.082 Spring coupling for encoders with ø58 mm housing, hole distance 63 mm

Programming accessories

Z 150.022 CD with describing files & manuals

Z 139.008 Programming cable for encoders with SSI bus cover, CD with software and manual

Absolute encoders - modular bus covers

Magnetical sensing, end shaft

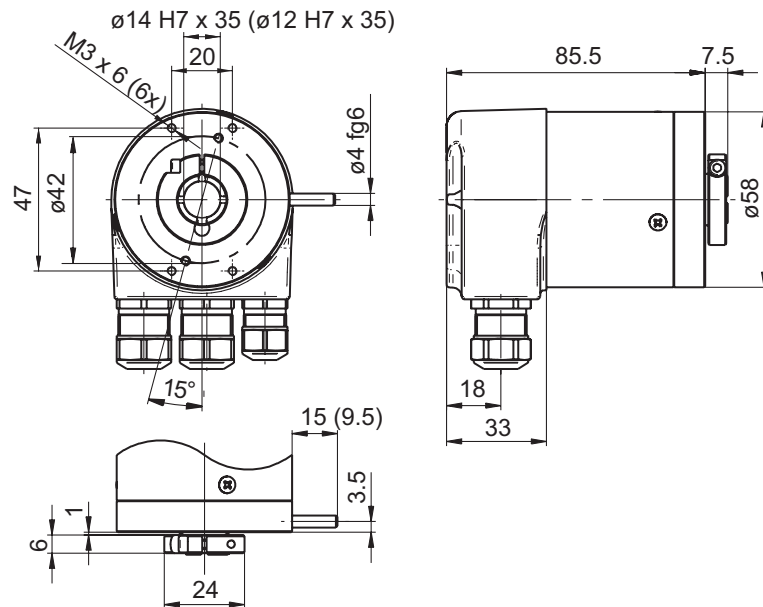
Multiturn encoder 12 bit ST / 16 bit MT

CANopen / DeviceNet / EtherCAT / Profibus / SSI / fibre-optic

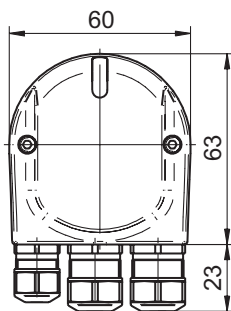
GCMMS - *magtivo*

Dimensions

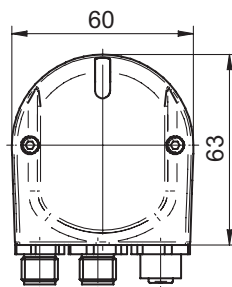
GCMMS



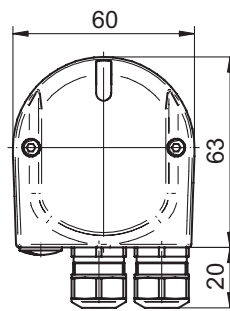
Profibus-DP/CANopen



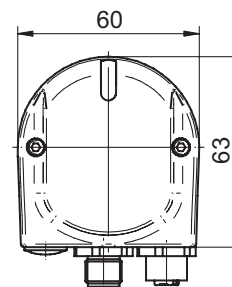
Profibus-DP - M12



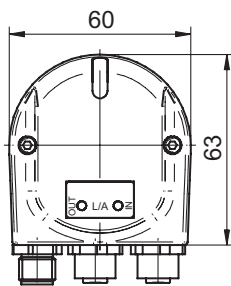
DeviceNet



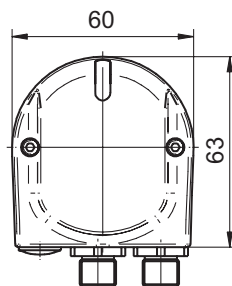
CANopen/DeviceNet M12



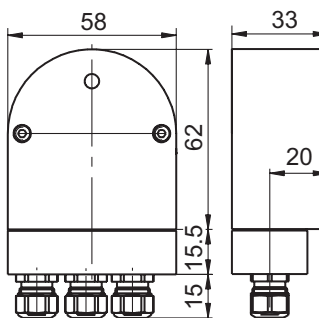
EtherCAT



SSI



Fibre-optic



Absolute encoders - modular bus covers
Magnetical sensing, end shaft
Multiturn encoder 12 bit ST / 16 bit MT
CANopen / DeviceNet / EtherCAT / Profibus / SSI / fibre-optic

GCMMS - *magtivo*
